



- 2-channel
- Control circuit EEx ia IIC
- 230 V AC supply voltage
- Reversible mode of operation
- Lead breakage (LB) monitoring
- 1 relay output with 1 changeover contact per channel

WE 77/Ex-2

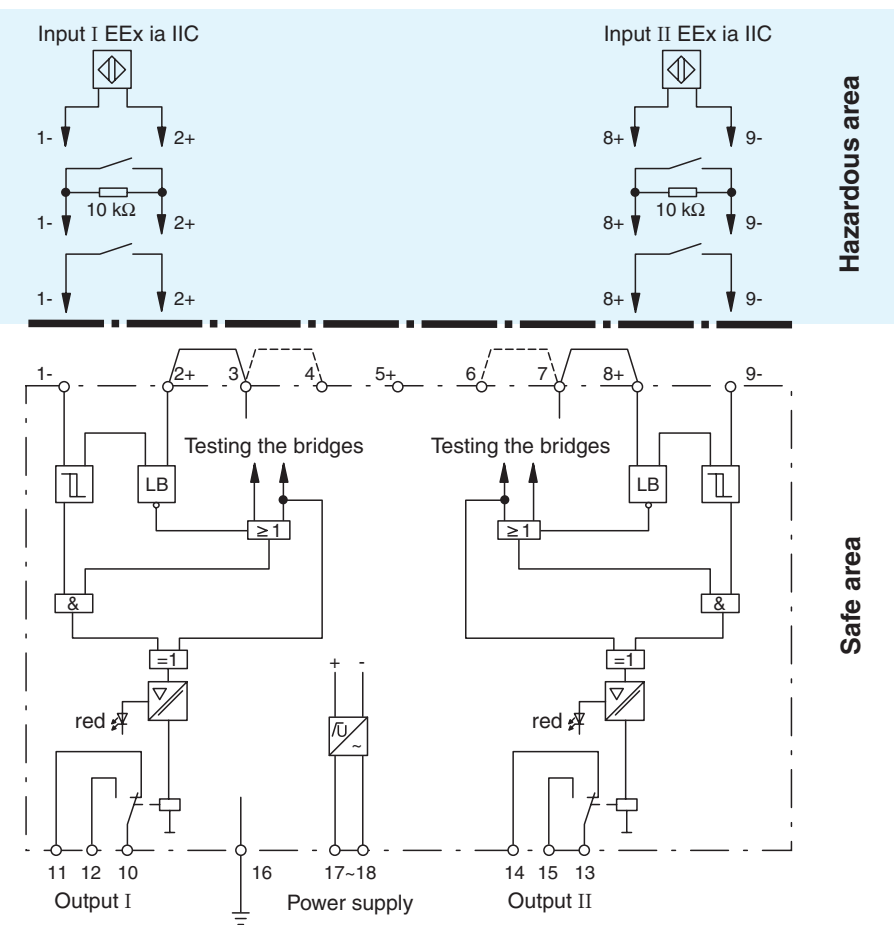
For new installations use standard type KFA6-SR2-Ex2.W.

Function

The transformer isolated barrier transfers digital signals into hazardous areas. Sensors per EN 60947-5-6 (NAMUR) or mechanical contacts may be used as transmitters.

The control circuit is monitored for lead breakage (LB).

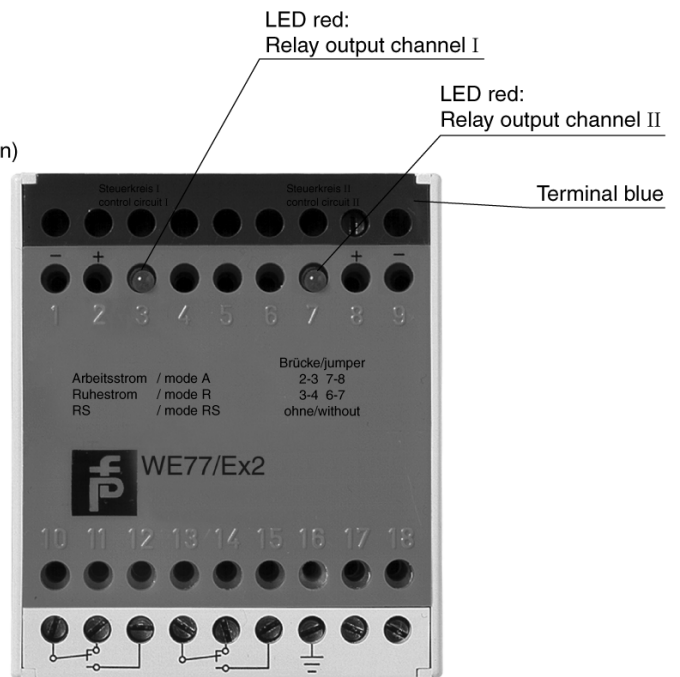
Connection



Composition

Front View

Housing type W2
(see system description)



Release date 2005-09-27 09:58 Date of issue 2005-09-27 00:1543_ENG.xml

Supply	
Connection	terminals 17, 18
Rated voltage	198 ... 253 V AC ; 45 ... 65 Hz
Power consumption	approx. 3.5 VA
Input	
Connection	terminals 1-, 2+; 8+, 9-
Rated values	acc. to EN 60947-5-6 (NAMUR), see system description for electrical data
Pulse/Pause ratio	≥ 0.5 ms / ≥ 0.5 ms
Lead monitoring	breakage I ≤ 0.1 mA
Output	
Connection	terminals 10, 11, 12; 13, 14, 15
Output	signal ; Relay , non-intrinsically safe
Contact loading	250 V AC/4 A/500 VA/cos φ > 0.7 220 V DC/0.1 A; 60 V DC/0.6; 24 V DC/4 A
Energized/De-energized delay	approx. 10 ms / approx. 20 ms
Mechanical life	10 ⁷ switching cycles
Transfer characteristics	
Switching frequency	< 10 Hz
Ambient conditions	
Ambient temperature	-25 ... 60 °C (248 ... 333 K)
Mechanical specifications	
Mass	approx. 410 g
Dimensions	40 x 104 x 110 mm (1.6 x 4.1 x 4.3 in)
Data for application in conjunction with hazardous areas	
EC-Type Examination Certificate	PTB No. Ex-79/2043X , for additional certificates see www.pepperl-fuchs.com
Voltage U ₀	13.5 V DC
Current I ₀	62 mA
Power P ₀	125 mW
Type of protection [EEx ia]	
Explosion group	IIB IIC
External capacitance	0.929 μF 0.23 μF
External inductance	5 mH 3 mH
Type of protection [EEx ib]	
Explosion group	IIB IIC
External capacitance	2.929 μF 0.609 μF
External inductance	115 mH 31 mH

Supplementary information

EC-Type Examination Certificate, Statement of Conformity, Declaration of Conformity and instructions have to be observed. For information see www.pepperl-fuchs.com.

Notes

Table operating mode see introduction WE-system.

Release date 2005-09-27 09:58 Date of issue 2005-09-27 001543_ENG.xml