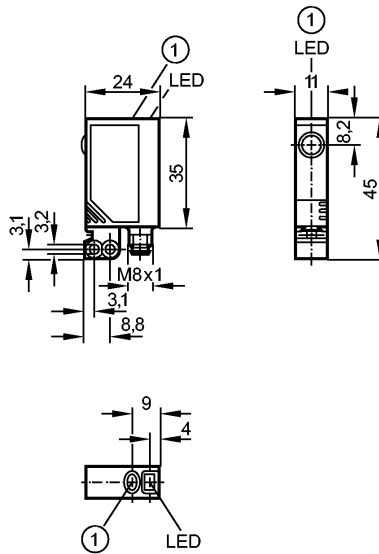


OJ5031

OJE-FPKG/SO/AS

Photoelectric sensors



1: pushbutton

Made in Germany



Product characteristics

| | |
|------------------------------|--|
| Through-beam sensor | |
| Rectangular, plastics | |
| Quick disconnect | |
| Electronic lock | |
| External teach function | |
| Side sensing | |
| Receiver | |
| Sensing range 10m adjustable | |

Electrical data

| | | |
|-----------------------------|--|------------------|
| Electrical design | | DC PNP |
| Operating voltage [V] | | 10...30 DC |
| Current consumption [mA] | | < 12 |
| Type of light | | red light 660 nm |
| Protection class | | III |
| Reverse polarity protection | | yes |

Outputs

| | | |
|--------------------------|--|---------------------------------|
| Output function | | light-on / dark-on programmable |
| Voltage drop [V] | | < 2.5 |
| Current rating [mA] | | 200 |
| Short-circuit protection | | Yes (non-latching) |
| Overload protection | | yes |
| Switching frequency [Hz] | | 1200 |

Monitoring range

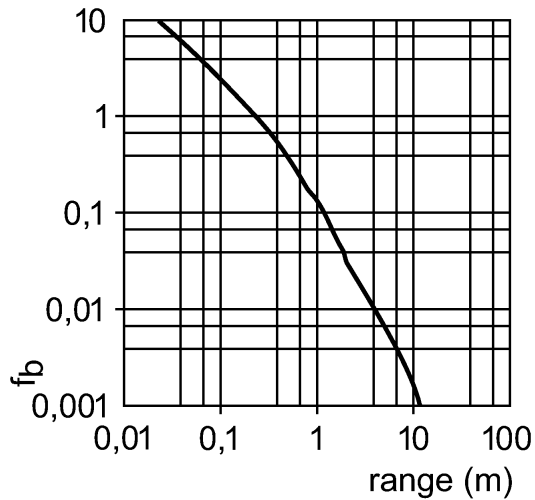
| | | |
|-------------------|--|----|
| Sensing range [m] | | 10 |
|-------------------|--|----|

Excess gain graphs

OJ5031

OJE-FPKG/SO/AS

Photoelectric sensors



Environment

| | | |
|---------------------|------|----------|
| Ambient temperature | [°C] | -25...60 |
| Protection | | IP 67 |

Tests / approvals

| | | |
|------|---------|--------------|
| EMC | | EN 60947-5-2 |
| MTTF | [Years] | 952 |

Mechanical data

| | | |
|-------------------|---|------|
| Housing materials | housing: ABS; fixture: diecast zinc; LED window: SEPS; pushbutton: SEPS | |
| Lens material | glass | |
| Weight | [kg] | 0.04 |

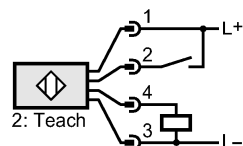
Displays / operating elements

| | | |
|--------------------------|-----|--------|
| Output status indication | LED | yellow |
| Power | LED | green |
| Function display | LED | red |

Electrical connection

| | |
|------------|--------------|
| Connection | M8 connector |
|------------|--------------|

Wiring



Accessories

| | |
|------------------------|--|
| Accessories (included) | Basic clip; E20964; 2 mounting screws; M3 x 16; 2 spring washers; 2 nuts |
|------------------------|--|

Remarks

| | |
|---------|---------------------------------|
| Remarks | cULus - Class 2 source required |
|---------|---------------------------------|

| | | |
|---------------|---------|---|
| Pack quantity | [piece] | 1 |
|---------------|---------|---|