



Features:

- Dual display, 4 digits, 7 segments LED display
- TC / RTD input, analog universal input
- PID, PID Autotune, ON-OFF
- 0.3% F.S measuring accuracy
- Bar graphic display indication
- °C/°F display selectable
- Alarm standby function
- Soft-start function for analog output
- Optional features
 - RS485 Modbus RTU Communication
 - PV/SV Re-transmission
 - 2 alarms (standard package with 1 alarm only)

Technical Specifications

Ordering Information

- MTA-48** (48mm*48mm)(Width*Height)
MTA-49 (48mm*96mm)(Width*Height)
MTA-94 (96mm*48mm)(Width*Height) **1** **2** **3** * **4** **5**
MTA-72 (72mm*72mm)(Width*Height)
MTA-96 (96mm*96mm)(Width*Height)

1: Main output

- R** Relay output
V SSR Drive/Voltage pulse output
D 4-20mA output

2: Number of Alarms

- 1** 1 alarm
2 2 alarms

3: Power Source

- 96** 85~265Vac 50/60HZ

4: Process Value or Setting value Re-transmission output

- N** Without Re-transmission
P42 PV Re-transmitted as 4-20mA
P010 PV Re-transmitted as 0-10Vdc
S42 SV Re-transmitted as 4-20mA
P010 SV Re-transmitted as 0-10Vdc

5: Communication

- N** Without Communication
K With Modbus RTU RS-485 communication

Example: MTA-48-R-1-96-N-N(48mm*48mm, Relay output, 1 alarm, 85~265V)

Product Images



Display

Digits	4 digits 7 segments LED, Dual display
LED Indicators	OUT1, OUT2, AT, AL1, AL2, AL3, MAN, COM, PRO

Input Specifications

Inputs	Thermocouple(K, J, R, S, B, T, E, N, Wu3_Re25) RTD(PT100) DC Analog Inputs(2-10Vdc, 1-5Vdc, 4-20mA) (0-10Vdc, 0-5Vdc, 0-20mA) (0-50mV, 0-20mV)
Sampling time	500ms
Input Filter(FTC)	0 to 60(1-30 normal, 31-60 enhanced)
Resolution	1/0.1° for TC/RTD only Decimal point position selectable: 1/0.1/0.01/0.001 for analog input
Temperature Unit	°C/°F Selectable
Indication Accuracy	For TC inputs: 0.3% of F.S. ± 1° For R & S type TC inputs: 0.5% of F.S. ± 2° (20 min of warm up time for TC inputs) For RTD inputs: 0.2% of F.S. ± 1° For Analog input: ± 0.5%. ± 1 digit (F.S.=Full Scale)

Output Specifications

Main Control Output	1 main output, heating or cooling selectable
Contact Rating(SPST)	5A @ 250Vac Resistive Load(Main Output) 3A @ 250Vac Resistive Load(Alarm output)
Current	0/4 to 20mA DC(loop impedance: 500Ω max.)
SSR Drive	12V DC(20mA)
Retransmission	
Current	4 to 20mA DC(loop impedance: 500Ω max.)
Voltage	0 to 10Vdc(Load resistance: 10KΩ Min)

Supply Voltage

Supply Voltage	85~265Vac 50/60HZ
Power Consumption	6VA max @230Vac

Environmental Specifications

Temperature	Operating: 0 to 50°C(32 to 122°F) Storage: -20 to 75°C(-4 to 167°F)
Humidity(non-condensing)	95%RH
Weight	0.17kg(48mm*48mm) 0.25kg(48mm*96mm, 96mm*48mm) 0.27kg(72mm*72mm) 0.32kg(96mm*96mm)
Protection	Dust proof for front plate

Functional Specifications

Control Action	1)PID 2)ON-OFF, when P=0 3)Time proportional when P≠0 I=0 D=0
Proportional Band(P)	0.0 to 200.0
Integral Time(I)	0 to 3600 sec
Derivative Time(D)	0 to 3600 sec
Cycle Time	0 to 999 sec
Hysteresis Width	0 to 999
Alarms modes	Deviation high / Deviation low Deviation high/low alarm Deviation band alarm Process high alarm/ Process low alarm
Input offset	-199 to 199
Output lower limit	0.0 to 100%
Output higher limit	0.0 to 100%

Optional features

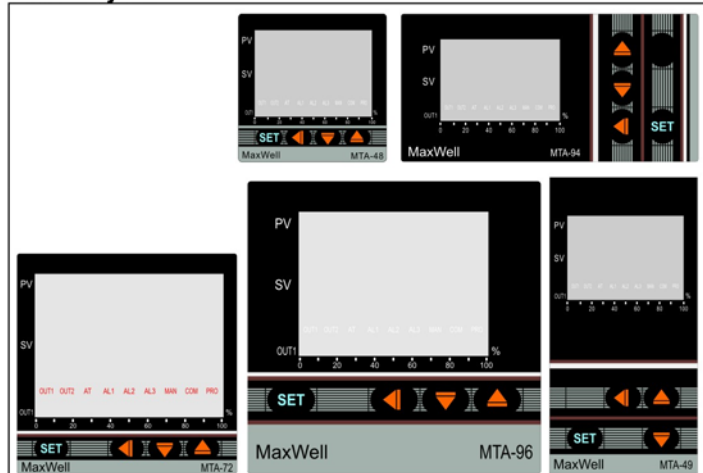
Serial communication

Interface standard	RS-485
Communication address	0 to 127, maximum 36 units per line
Transmission mode	Half duplex
Transmission protocol	Modbus RTU
Transmission format	Support 03 read command, 06 and 10 write command 1 start bit+8 digital bit+N+1 stop bit(8.N.1) 1 start bit+ 8 digital bit+N+2 stop bit(8.N.2)
Transmission speed	2400,4800,9600,19200(9600 default)

Compliance

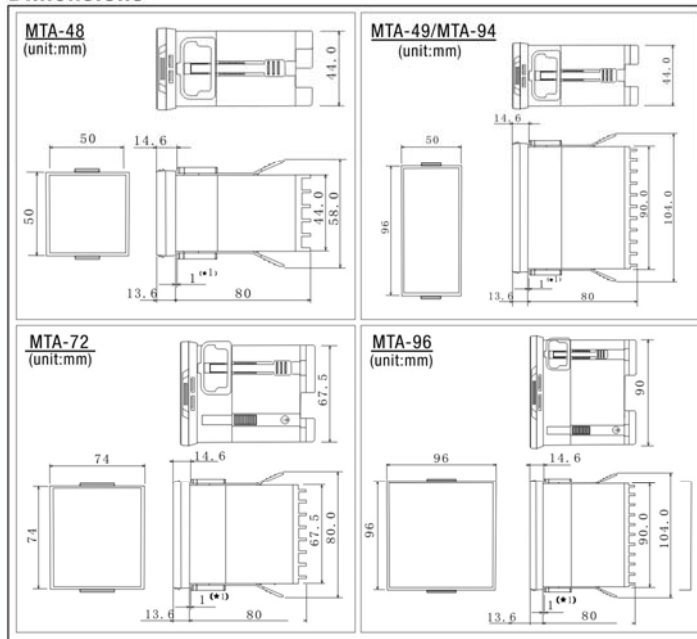
IEC/EN 61326(EMI/EMC)
IEC/EN 61010 Revision 3 2010 Edition(Safety)

Panel Layout

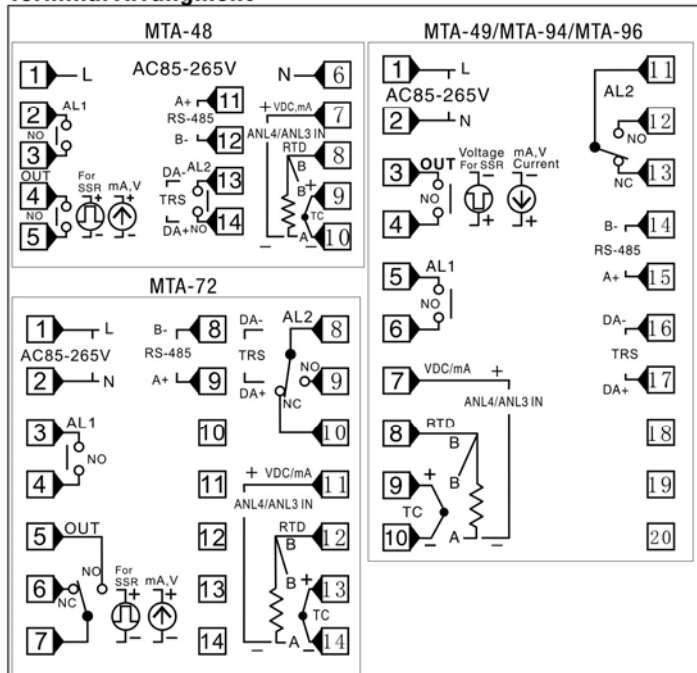


- PV window, display PV or parameter notation
- SV window, display SV or parameter value
- Bar graphic, shows the output percentage
- SET: Function key
- Shift key
- Decrement key
- Increment key
- OUT1: Output 1 indicator
- OUT2: Output 2 indicator
- AT: Auto-tuning indicator
- AL1: Alarm 1 indicator
- AL2: Alarm 2 indicator
- AL3: Alarm 3 indicator
- MAN: Reserved indicator
- COM: Communication indicator
- PRO: Reserved indicator

Dimensions



Terminal Arrangement



This is a general connection diagram please always refer to connection stickers on the side of the controller for details connection in field application