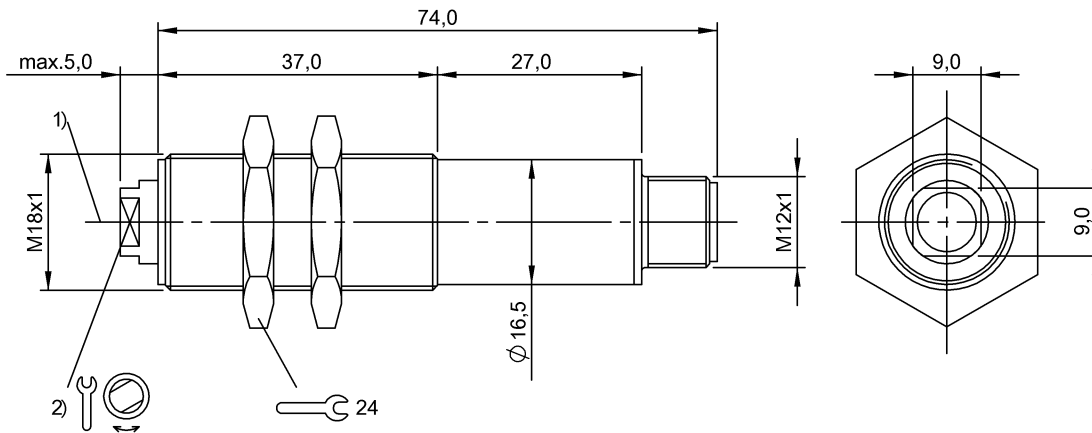


**BLS 18M-XX-1LT-S4-C**  
**Ordering code: BOS00AW**

Laser red light, Laserklasse 2  
 DC, direct current

**BALLUFF**  
*sensors worldwide*

Through-beam sensor  
 Series 18M  
 Working Range: 0...50 m



1) Optical axis, 2) Focus distance

**Characteristic data**

Operating voltage	10...30 V DC
Connection	Connector, M12x1-S04
Setting	Focal distance
Adjuster	Adjusting nut (1x)
Reference receiver	BLE 18M-...-1LT-..
Protected against polarity reversal	yes
Protected against reverse connection	yes
Degree of protection as per IEC 60529	IP65

**Optical data**

Principle of optical operation	Emitter
Light type	Laser red light
Wavelength	660 nm
Laser class per IEC 60825-1	2
Average power $P_o$ max.	< 1 mW (IEC 60825-1)

**Electrical data**

Rated operating voltage $U_e$ DC	24,0 V
Rated insulation voltage $U_i$	75 V DC
Ripple max. (% of $U_e$ )	15 %
No-load current max. $I_o$ at $U_e$	10 mA

**Mechanical data**

Connector type	M12x1-S04
Shock rating	Half-sinus, 30gn, 11ms, 3x6
Vibration rating	10-55 Hz, 1 mm ampl., 3x30 min
Ambient temperature	-10...50 °C
Sensing surface material	Glass
Housing material	Brass
Surface protection	Nickel-plated
Mounting type	Nut M18x1
Design	Cylinder, straight optics
Operating range $R_o$	0...50 m
Beam characteristic	Focus adjustable >0.2m
Range $S_n$	$S_n$ = 50 m, adjustable

**Basic data**

Basic standard IEC 60947-5-2  
 With connector, e.g. BKS-S 20-... total length = switch length +18 mm.  
 Only for NFPA 79 applications (machines with a supply voltage of maximum 600 volts). Device shall be connected only by using any R/C (CYJV2) cord, having suitable ratings.  
 Focusing tool included, order other accessories separately.  
 For additional information, refer to user's guide.



Definitions see main catalog

**BLS 18M-XX-1LT-S4-C**  
**Ordering code: BOS00AW**

Through-beam sensor  
Series 18M  
Working Range: 0...50 m

Laser red light, Laserklasse 2  
DC, direct current

**BALLUFF**  
*sensors worldwide*

subject to change

